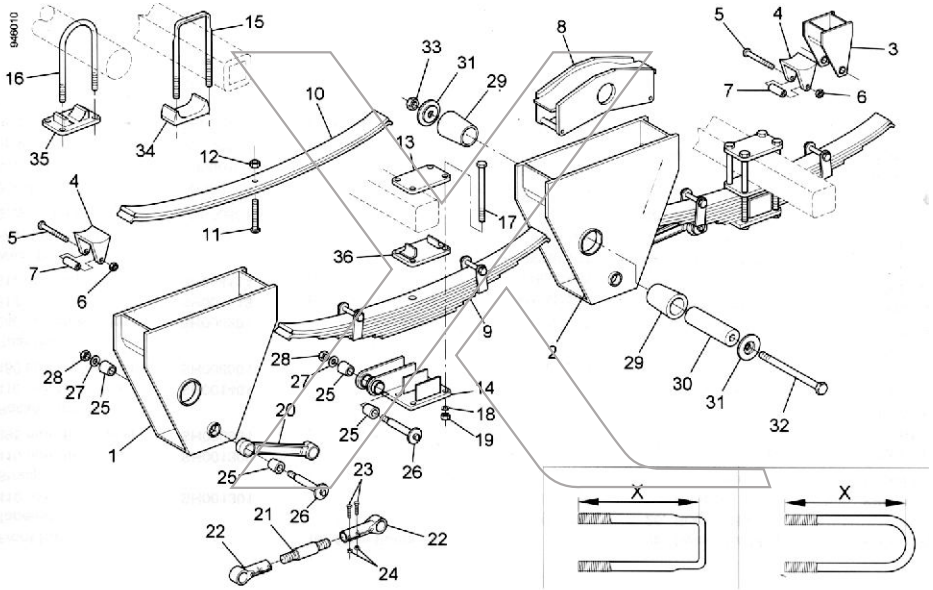


## MAX - L underslung suspension

**SUSPENSION PARTS**



1. Front Hanger - Tapered Heavy Duty 8mm Plate - LH / RH	10. Main Blade Set - 8 Blade 14mm Thk 9 Blade 16mm	LH / RH
2. Rocker Hanger Tapered - Heavy Duty LH 8mm Heavy Duty RH 8mm Light Wt LH 6mm Light Wt RH 6mm	11. Centre Bolt M14 x 145 12. Nut M14	23. Bolt M12 x 55 24. Nyloc Nut M12
3. Rear Hanger - Heavy Duty LH 8mm Heavy Duty RH 8mm Light Wt LH 6mm Light Wt RH 6mm	13. Upper Clamp Plate - 105, 112, 130 Axle 14. Axle Seat - LH / RH 15. U Bolt - 127 Sq USA Axle - Dim X = 335	25. Radius Rod Bush 26. Radius Rod Pin 27. Washer 28. Nyloc Nut M24 29. Rocker Bush - Rubber 30. Rocker Spacer 31. Retainer Washer 32. Nyloc Nut M20 34. Chair - 127 Sq USA Axle
4. Wear Plate Assy - C/w Bolt, Nut & Spacer Tube	16. U Bolt - 127 Round Axle - Dim X = 320	35. Chair - 127 Round Axle
5. Bolt M16 x 150	17. Bolt M22 - X 325 LG 105 Sq Axle X 350 LG 112 Sq Axle X 420 LG 130 Sq Axle	36. Chair - 105 Sq Axle 112 Sq Axle 130 Sq Axle
6. Nyloc Nut M16	18. Washer 22 Dia	
7. Spacer Tube	19. Nyloc Nut M22	
8. Rocker	20. Radius Rod - Fixed	
9. Spring - 8 Blade / 9 Blade	21. Adjuster 22. Radius Rod End -	