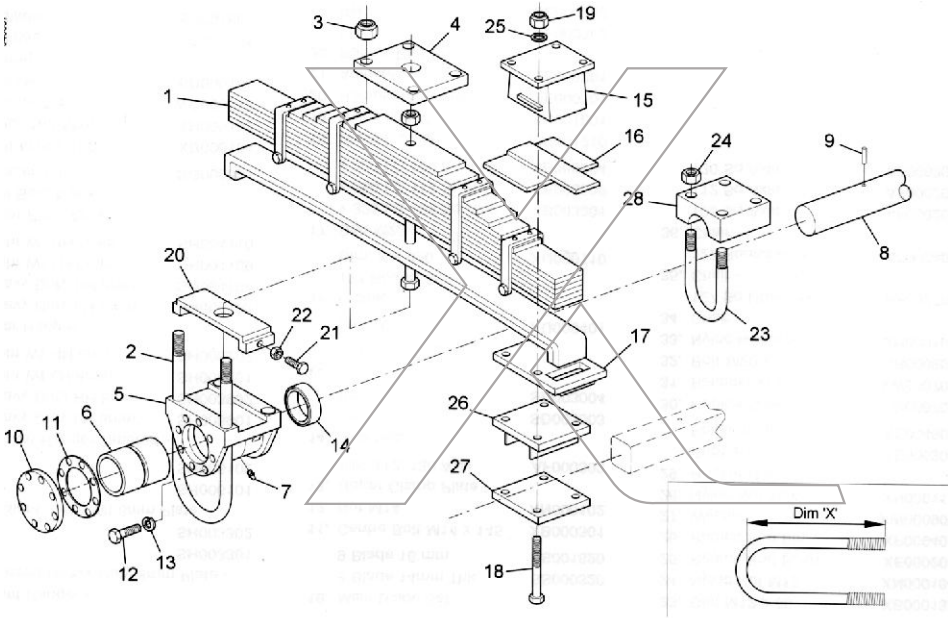


MAX - H2 tandem bogie suspension



SUSPENSION PARTS

1. Spring - Std Duty 15 Blade	9. Locating Pin - Dia 16 x 30	Dim X = 185 Dim X = 215
Heavy Duty 12 Blade	10. End Plate	24. Nyloc Nut M24
2. U Bolt M30 Dim X = 460	11. End Gasket	25. Washer Dia 22
Dim X = 470	12. Setscrew M14 x 30	26. Upper Clamp Plate - 105 Sq Axle
Dim X = 470 HiTen	13. Washer Spring Dia 14	112 Sq Axle
3. Nyloc Nut M30	14. Oil Seal	127 Sq Axle
4. Clamp Plate	15. Spring Hood	27. Lower Clamp Plate - 105 Sq Axle
5. Pivot Block	16. T-Rubber	112 Sq Axle
6. Pivot Bush - Std Duty - Nylon	17. Slotted Plate	127 Sq Axle
Heavy Duty - Bronze	18. Bolt - Spring Hood - 105 Axle M22 x 340	28. Bogie Mounting Block
7. Grease Nipple	112 Axle M22 x 350	29. Main Blade Set
8. Cross Shaft - Std Duty	127 Axle M22 x 380	30. Centre Bolt M14 x 305 C/w M14 Nut
Heavy Duty (HD identified by '2' stamped on end)	19. Nyloc Nut M22	
	20. Bogie Adjuster	
	21. Setscrew M20 x 70	
	22. Nut M20	
	23. U Bolt M24 -	