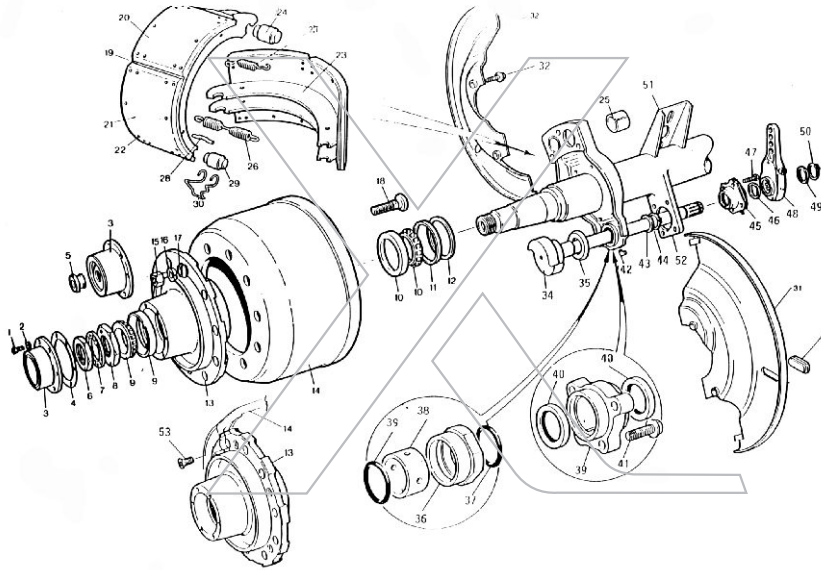


TQ series trailer axle



- | | |
|----------------------------|-----------------------------|
| 1. Hub Screw Cap | Nut Wheel Din |
| 2. Washer | Nut Wheel Spigot Mount |
| 3. Hub Cap Oil | 16. Cone Wheel Outer Din |
| Hub Cap Grease | 17. Cone Wheel Inner Din |
| 4. Gasket Oil | Cone Wheel Inner BSF |
| Gasket Grease | 18. Bolts LH BSF Twin I/B |
| 5. Plug Vent (Oil) | Bolts RH BSF Twin I/B |
| 6. Nut | Bolts LH BSF Twin O/B |
| 7. Washer Lock Assy | Bolts RH BSF Twin O/B |
| 8. Nut Bearing Adjust | Bolts Wheel Din Twin I/B |
| 9. Bearing Outer | Bolts Wheel Din Twin O/B |
| 10. Bearing Inner | 19. Shoe Brake Assy Lined |
| 11. Oil Seal (oil) | 20. Brake lining CAM End |
| Oil Seal (grease) | 21. Brake lining Anchor End |
| 12. Wear sleeve Grease | 22. Rivets |
| 13. Hub 10 Bolt I/B | 23. Shoe Brake Assy Unlined |
| Hub 10 Bolt O/B | 24. Pin Anchor |
| 14. Drum Brake 10 Bolt I/B | 25. Bush Anchor Pin |
| Drum Bake 10 Bolt O/B | 26. Spring Return |
| 15. Nut Wheel LH BSF | 27. Spring Retainer |
| Nut Wheel RH BSF | |