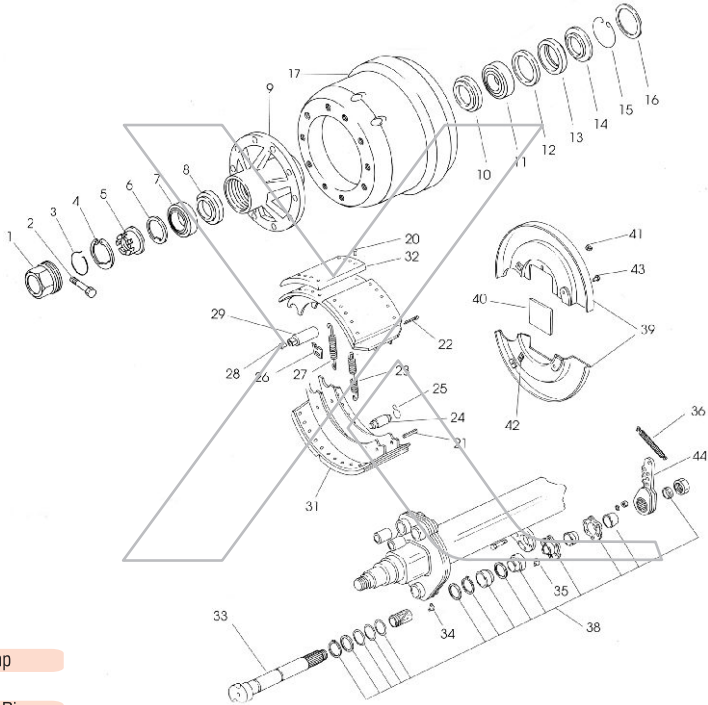


BPW ECO hub system & brake



**HUB & BRAKE SYSTEMS**



- |                          |                            |                          |
|--------------------------|----------------------------|--------------------------|
| 1. Hub Cap               | 22. Split Pin              | 37. Camshaft Kit         |
| 2. Bolt                  | 23. Return Spring          | (O-rings)                |
| 3. Spring Ring           | 24. Roller                 | 38. Camshaft: Repair Kit |
| 4. Outer Circlip         | 25. Retention Clip         | (Single side)            |
| 5. Castle Nut            | 26. Shaped Plate           | 39. Dust Cover 120mm     |
| 6. Washer                | 27. Return Spring (Brake)  | Dia. Axle set            |
| 7. Outer Roller Bearing  | 28. Plug                   | Dust Cover 150mm         |
| 8. Thrust Washer         | 29. Brake Pin              | Dia. Axle Set            |
| 9. Hub                   | (420 x 180, 420 x 200)     | 40. Seal 120mm Dia       |
| (Including Spline Pin)   | 30. Bush                   | Seal 150mm Dia.          |
| 10. Dust Cover           | 31. Brake Shoes incl 24,25 | 41. Plugs/Seal           |
| 11. Inner Roller Bearing | (With lining)              | (Non ABS slot)           |
| 12. Ring                 | 32. Brake Lining           | 42. Plug                 |
| 13. Lip Seal             | (Asbestos Free)            | 43. Locking Screw        |
| 14. Thrust Washer        | 33. Camshaft L/H (625mm)   | 44. Slack Adjuster       |
| 15. Inner Circlip        | Camshaft R/H (625mm)       | Manual (120/135/150      |
| 16. Exciter Ring         | Camshaft L/H (731mm)       | 165/180/195/250          |
| 17. Brake Drum           | Camshaft R/H (731mm)       | Holes)                   |
| 18. Splined Pin          | 34. Grease Nipple          | Slack Adjuster           |
| For stud hubs            | 35. Grease Nipple          | Automatic (Retro Kit)    |
| 19. Brake Drum           | 36. Return Spring          |                          |
| 20. Brake shoe Rivet     | (Slack Adjuster)           |                          |
| 21. Splined Pin          |                            |                          |

